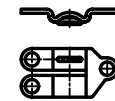
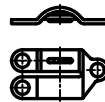
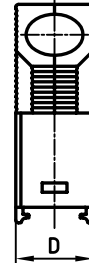
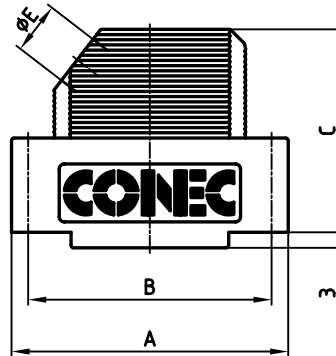
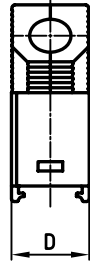
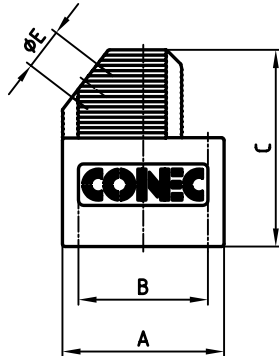


used for: D-SUB

9pos.

15-50pos.



1 x CABLE CLAMP / VERSION 1

1 x CABLE CLAMP / VERSION 2

3 x SCREW FOR CABLE CLAMP

9pos. = 1 x FULL METAL SCREW
15-50pos. = 2 x FULL METAL SCREW

No. of pos.	A±0.1	B	C±0.2	D	ØE	Part No.
9	31.20	25.0	37.95	15.0	8.0	165X00779XE
15	39.52	33.3	38.95	15.0	9.0	165X00789XE
25	53.42	47.0	38.95	15.0	11.0	165X00799XE
37	69.70	63.5	38.95	15.0	11.0	165X00809XE
50	67.30	61.1	38.95	19.0	14.5	165X00819XE



NOTES:

HOOD: PC GF 20 UL 94 V-0; BLACK
FULL METAL SCREW: Ms 58 HARD; NICKEL PLATED
CABLE CLAMP: Cu Ni 18 Zn 20
SCREW FOR CABLE CLAMP: STEEL; NICKEL PLATED

APPROVAL * FREIGABE * DEBLOCAGE * AUTORIZACION * APPROVAL

CUSTOMER APPROVAL DATE:

NAME: TITLE:

COMPANY NAME:

APPROVAL * FREIGABE * DEBLOCAGE * AUTORIZACION * APPROVAL

THIS DRAWING MAY NOT BE COPIED OR REPRODUCED IN ANY WAY, AND MAY NOT BE PASSED ON TO A THIRD PARTY, WITHOUT WRITTEN PERMISSION. OWNERSHIP AND COPYRIGHT OF CONEC GmbH DO NOT ALTER CAD DRAWING BY HAND

rev.	description	date	name
a	Origin		

tolerance		scale: 1:1
dim. in mm		material: SEE NOTES
2006	date	name
drawn	09.02.	Lehmenkühler
appd.	09.02.	Mickenbecker
norm	DIN 41652	
d-old		

title: **PLASTIC HOOD**
9-50pos.
shielded version black with metal screw

dwg no: AutoCAD 2004 DIN-A 3 sh: 1/1

part no: **16K1A1750** SEE TABLE